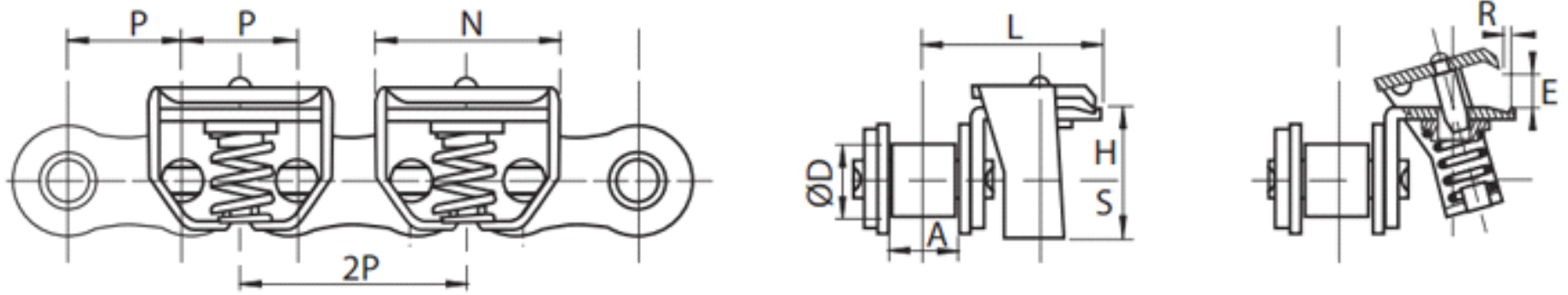


## Gripper chains

Plastic film conveying

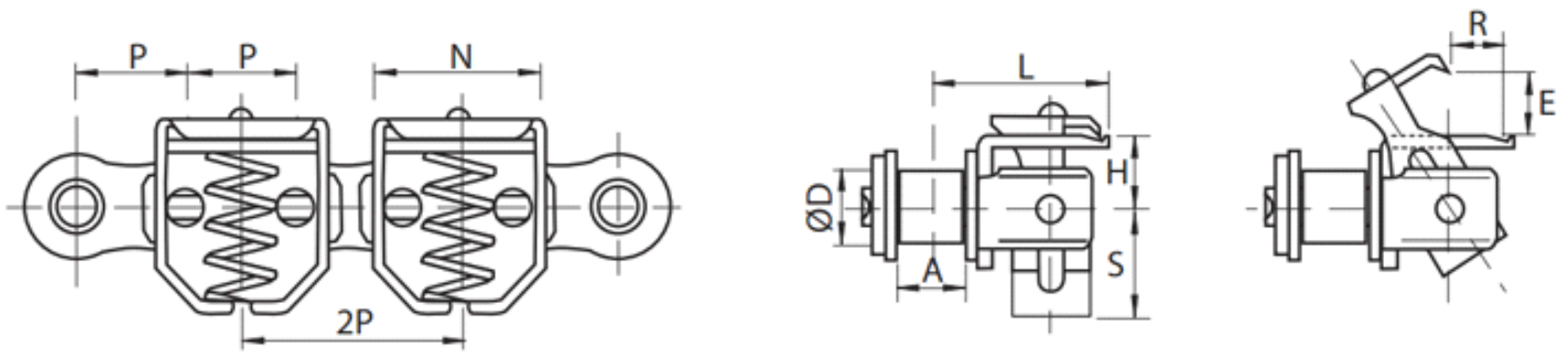


Gripper chains with vertical opening for conveying thin film

CODE	Pitch		INNER WIDTH A min. mm.	ROLLER DIAMETER Ø D max. mm.	PIN DIAMETER Ø d max. mm.	ATTACH. OUTSIDE L mm.	ATTACH. HEIGHT H mm.	BELOWCLAMP HEIGHT S mm.	CLAMP WIDTH N mm.	CLAMP OPENING E mm.	CLAMP BACKWARD R mm.	WEIGHT PER METER q kg/m.
	P Pulg.-Inch	p mm										
42PZ	1/2	12.70	7.75	8.51	4.45	19.80	8.00	7.00	20.00	3.30	0.90	1.06
52PZ	5/8	15.875	9.65	10.16	5.08	23.80	10.00	8.00	24.00	4.00	1.00	1.41
62PZ	3/4	19.05	11.68	12.07	5.72	28.00	12.00	9.00	29.00	4.50	1.10	1.60

Nickel plated and stainless steel chains are available.

HENGJIU



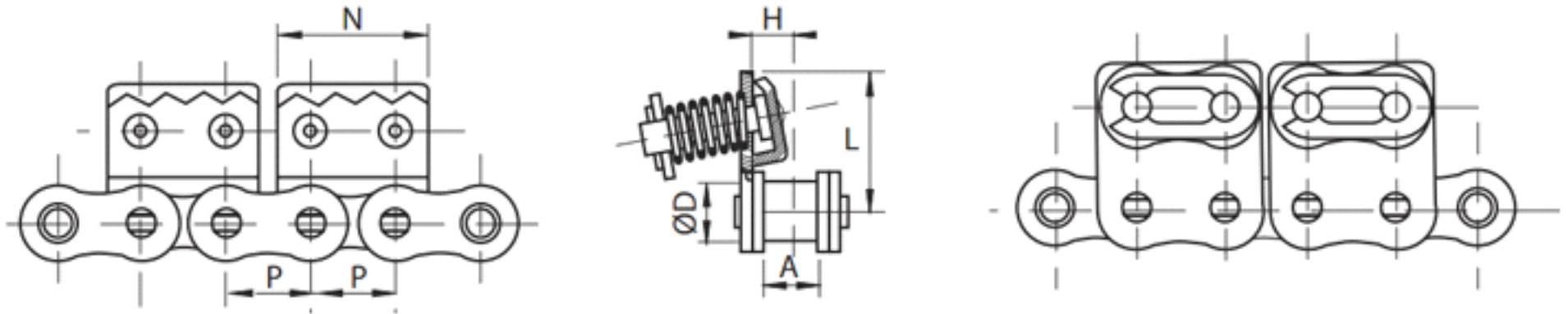
Gripper chains that open and move back for conveying thick film

CODE	Pitch		INNER WIDTH A min. mm.	ROLLER DIAMETER Ø D max. mm.	PIN DIAMETER Ø d max. mm.	ATTACH. OUTSIDE L mm.	ATTACH. HEIGHT H mm.	BELOWCLAMP HEIGHT S mm.	CLAMP WIDTH N mm.	CLAMP OPENING E mm.	CLAMP BACKWARD R mm.	WEIGHT PER METER q kg/m.
	P Pulg.-Inch	p mm										
42PZL	1/2	12.70	7.75	8.51	4.45	20.00	8.00	11.80	20.00	4.00	3.50	1.14
52PZL	5/8	15.875	9.65	10.16	5.08	24.00	9.00	12.80	23.40	6.00	5.00	1.54

Nickel plated and stainless steel chains are available.

Toothed clamps chains

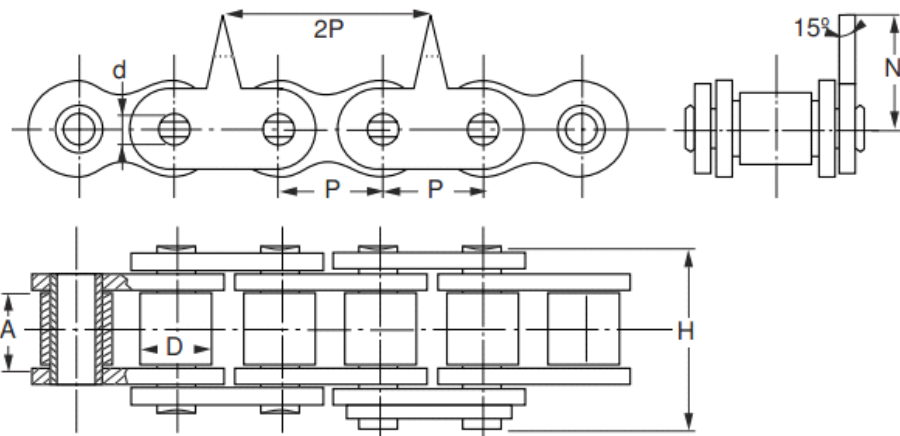
Sharp attachments chain



Gripper chains with toothed clamps over flat attachments

CODE	BASE CHAIN	Pitch		INNER WIDTH A min. mm.	ROLLER DIAMETER Ø D max. mm.	PIN DIAMETER Ø d max. mm.	ATTACH. OUTSIDE L mm.	ATTACH. HEIGHT H mm.	CLAMP WIDTH N mm.	CLAMP PER METER P-Mtr. Aprox.	AVG. TENSILE STRENGTH A.T.S. daN-Kg	WEIGHT PER METER q kg/m.
		P Pulg.-Inch	P mm									
42PZS	08B-1	1/2	12.70	7.75	8.51	4.45	20.00	5.80	24.00	39	1.200	1.35

Stainless steel chain



Chains with sharp attachments for conveying thick film

CODE	BASE CHAIN	Pitch		INNER WIDTH A min. mm.	ROLLER DIAMETER Ø D max. mm.	PIN DIAMETER Ø d max. mm.	PIN LENGTH H max. mm.	ATTACH. HEIGHT N mm.	ATTACH. DISTANCE 2P mm.	ATTACH. PER METER P-Mtr. Aprox.	AVG. TENSILE STRENGTH A.T.S. daN-Kg	WEIGHT PER METER q kg/m.
		P Pulg.-Inch	P mm									
42PU	08B-1	1/2	12.70	7.75	8.51	4.45	17.00	15.00	25.40	39	2.100	0.90
2042PU	08B-2	1/2	12.70	7.75	8.51	4.45	31.00	15.00	25.40	39	3.810	1.55

Stainless steel chains available as well.